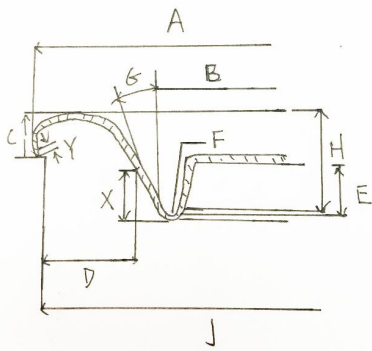
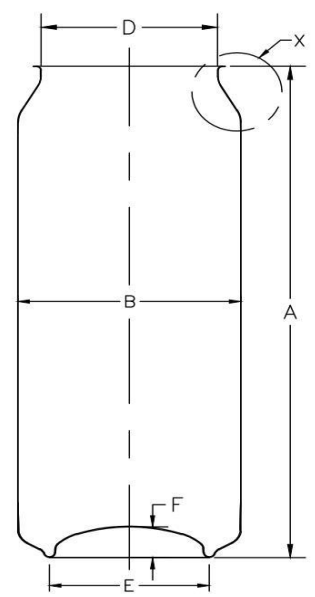
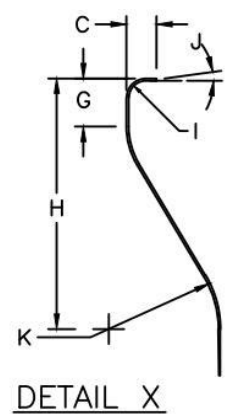


Customer Product Standard		E0E-202S0T	
----------------------------------	--	-------------------	--

202(52mm)DIAMETER ALUMINUM EASY OPEN CAN ENDS 0.22mm Reform Mini-Seam with stay on Tab For Carbonated Beverage and Fruit Juice



Lid Feature	Imperial	Metric
A.Outside Diameter	2.34+/-0.010	59.40+/-0.25
B.Punch Plug Diameter	1.952 Ref	49.60 Ref
C.Curl Height	0.080+/-0.005	2.03+/-0.13
D.Curl Opening	0.107Min	2.72Min
E.Panel Height	0.091 Ref	2.3 Ref
F.Countersink Radius	0.20 Nom	0.50 Nom
G.Chuck Wall Angle	13.7Degree	13.7Degree
H.Countersink Depth	0.268+/-0.005	6.80+/-0.13
J.Inside Curl Diameter	2.264 Min	57.5 Min
X.Compound Shoulder	0.209+/-0.020	5.3+/-0.5
Y.Compound Cut Edge	0.030+/-0.020	0.75+/-0.5
End Thickness	0.00866	0.22
End Thickness+Lacquer	0.00906	0.23
Stacking Rate	25+/-Per 2"	25+/-2 per 50.8
Peacking Pressure	100 psi	6.9 bar
Aluminum Alloy	5182 Alloy	
Internal Lacquer Type	PVC Free	
External Lacquer Type	Epoxy	
Compound Film Weight	35+/-5mg-HOS	
Tab Type	SOT	



Can wall	Nonimal
A.FINISHED CAN HEIGHT	6.608±0.015"[167.84±0.38mm]
B.CAN OUTSIDE DIAMETER	REF.ø2.608"[ø66.24mm]
C.FLANGE WIDTH	0.0823±0.0100"[2.09±0.25mm]
D.NECK PLUG DIAMETER	ø2.063±0.010"[ø52.40±0.25mm]
E.BASE DIAMETER	REF.ø1.8660"[ø47.40MM]
F.DOME DEPTH	0.413±0.006"[10.50±0.15mm]
G.NECK SEAMING CLEARANCE	MIN.0.145"[3.68mm]
H.NECK HEIGHT	REF.0.7585"[19.27mm]
I.FLANGE RADIUS	0.060±0.010"[1.52±0.25mm]
J.FLANGE ANGLE	0"-8"
K.INSIDE NECK RADIUS	REF.0.325"[8.26mm]
L.OVERFLOW CAPACITY	18.14±0.07 FL.OZ.[536.5+2.0ml]
L.NET CONTENT FOR COLD FILL	500ml
L.NET CONTENT FOR HOT FILL	480ml
M.METAL GAUGE	0.0102"[0.265mm]