

SR800 Operating Instructions

Before Using: Wipe glass with damp cloth, inside and out. Do not immerse roasting chamber in water.

CAUTION: To reduce the risk of electrical shock, do not immerse roaster base, its power cord or plug in water or other liquid.

Roasting Coffee Beans:

- Your Fresh Roast SR800 coffee bean roaster is designed to roast approximately 8 ounces 228 Grams.
- Fill the provided 43CC measuring cup 8 times. Never overfill with green beans.
- Securely line up the locator dimples on the chamber to the slots on the roaster.
- Place chaff collector on top of the glass roasting chamber.
- Plug in the SR800 Coffee Roaster.
- The standby mode will show "----" on the display.
- Press "ON/OFF" button, display shows the factory setting (for the first time use) or the last machine setting.
- Factory setting is **FAN 5 HEAT 9 and TIMER 6.0**
- Press "RUN/COOL" button to start running the machine.
- To make an adjustment during the roast, PRESS "ADJUST" button, the digit for FAN, POWER, and TIMER flashes in the sequence.
- Select the parameter for adjustment.
- Rotate the "ADJUST" button to the desired value. Rotating clockwise to increase the value and counter-clockwise to decrease value.
- When the desired darkness of roast is achieved, PRESS the "RUN/COOL" button once.

*In the COOL mode, user can press "ADJUST" button to set the fan speed.

*Do not remove the Chaff Basket or Chamber until the machine has finished the COOL cycle and has shut off.

* User can exit the cool mode and enter into the roasting process by increasing the timer.

- To stop the machine without a Cool cycle, press the "ON/OFF" button.

Real Time Temperature Display:

- At any time in the roasting process, user can rotate "ADJUST" button quickly over 90 degrees to show the temperature in the display.
- The display shows temperature in (F).
- It will continue to show the temperature until you press the "ADJUST" button.

Reset Factory Default Settings:

- Plug machine into an outlet.
- Press "On/Off" button.
- Press "ADJUST" button to set FAN, POWER, and TIME.
- Press "Run/Cool" button to save new default setting.

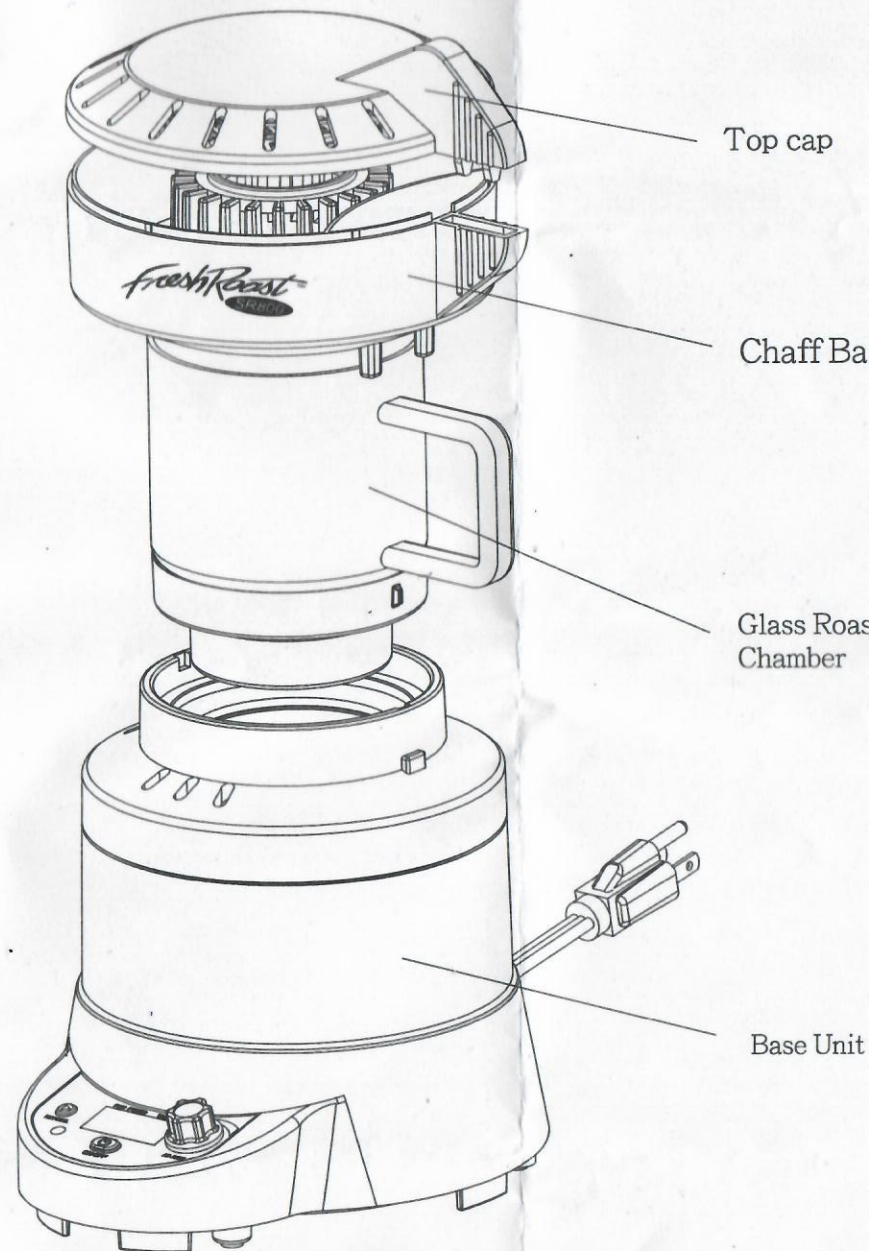
*Default settings are only for start up and will need to be adjusted during roast.

Cleaning and Care:

- Before every use, always empty the Chaff* Basket and clean the Top Cap screen.
- *Chaff is the outer layer husk of the coffee bean.

Roasting Tips:

- For more information on the SR800 and Roasting Tips, visit our website www.homeroastingsupplies.com



Home Roasting Supplies LLC.
450 W East Canyon Rd
Henefer, UT, 84033
Tel, 435-729-9170
Email homeroastingsupplies@gmail.com
Web www.homeroastingsupplies.com