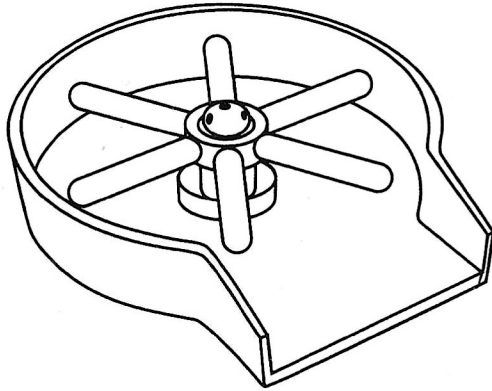
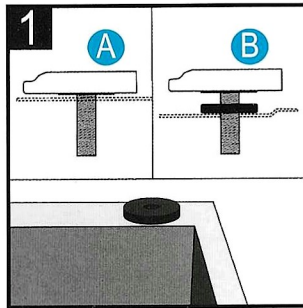


Glass Rinsers



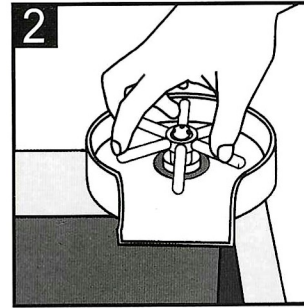
Installation Instructions

Read all instructions sets before instation.
Turn off hot and cold water supplies at angle stops before installing glass rinser.



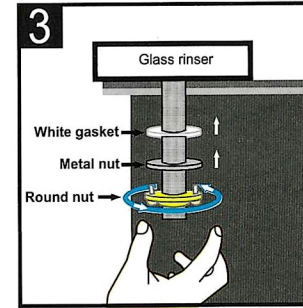
1
A. For sinks with level ledge/Granite, Don't need the plastic spacer.

B. For sinks with the raised ledges, Put the Plastic spacer on the sink hole with foam washer side downward.



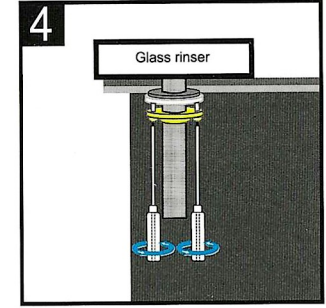
2
A. Put the base on the sink hole.

B. Put the base on the plastic spacer.

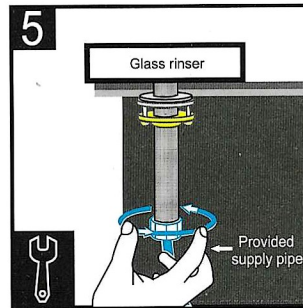


3
Put the white gasket and metal nut onto the shank.

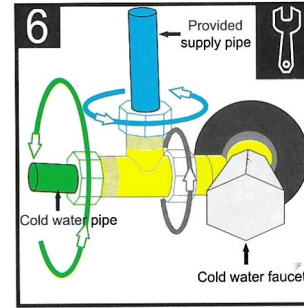
Screw the round nut onto the shank, and tighten.



4
Screw the fastening nut with screwdriver.



5
Screw the 1/2" end of provided supply pipe to mounting shank with wrench.



6
Untie the existing cold water faucet supply pipe from angle stop.
Screw provided tee onto angle stop with wrench.
Screw both the faucet supply pipe and the 3/8" end of provided supply line to tee. When pipes are installed, check alignment and retighten mounting nut.

