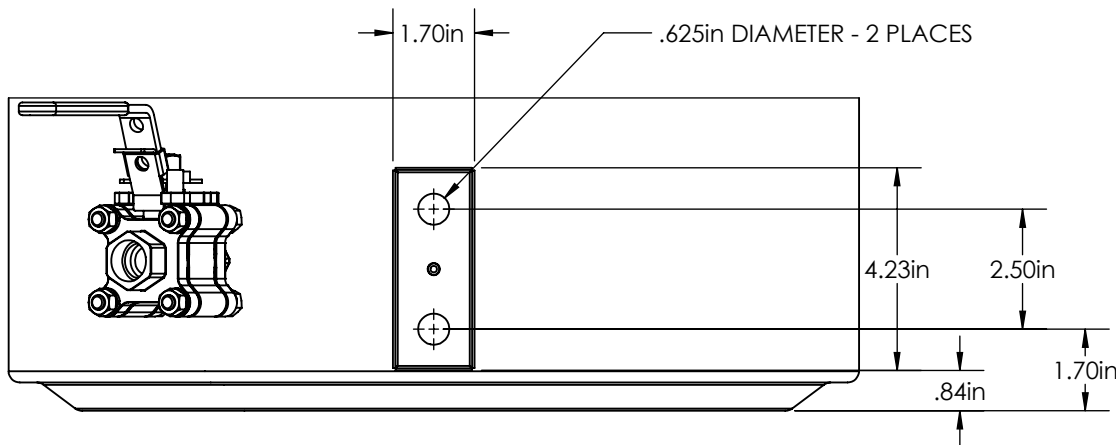
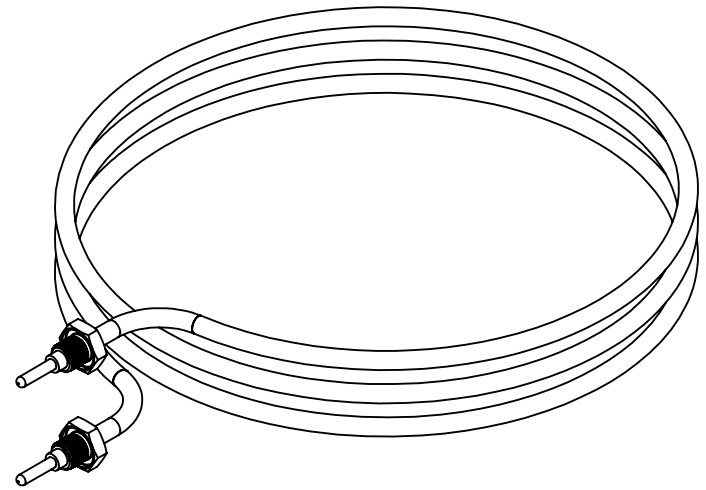


DIMENSION TABLE						
Heater Size	D in.	d in.	CL in.	WATTS	VOLTS AC	REQUIRED BREAKER
BOILCOIL 7.5	10.8	9.8	5.9	2000	120	20
BOILCOIL 10	12.4	11.4	6.7	2250	120	20
BOILCOIL 10	12.4	11.4	6.7	3750	240	20
BOILCOIL 15	14.4	13.4	7.7	4500	240	20
BOILCOIL 20	16.4	15.4	8.7	5000	240	30
BOILCOIL 30	18.4	17.4	9.7	5750	240	30
BOILCOIL 55	22.4	21.4	11.7	5750	240	50*

*Two heaters required for 1Bbl batch size



NAME	DATE	SIZE	DWG. NO.
SD	04/14/14	A	BoilCoil General Dimension Drawing
SCALE:		NA	SHEET 1 OF 1