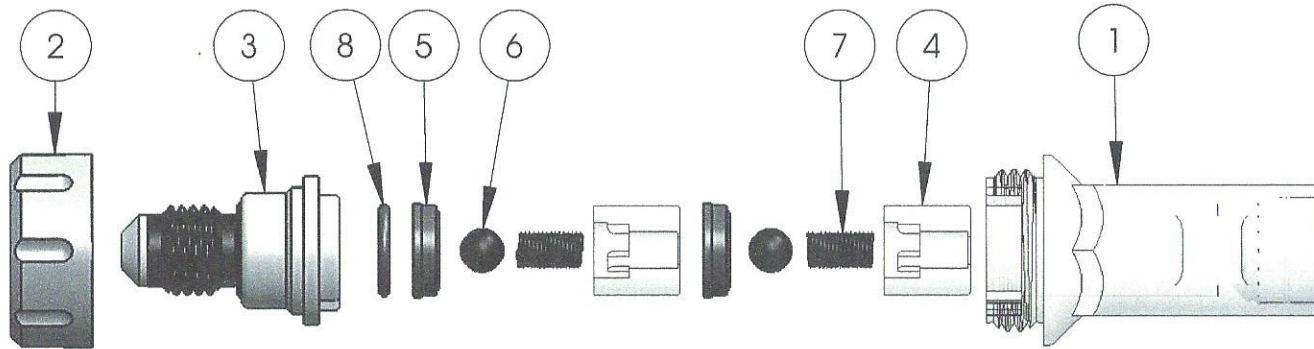


THE INFORMATION CONTAINED IN THIS DRAWING IS THE SOLE PROPERTY OF
CMB Schankanlagen GmbH Römerstr.17 47809 Krefeld
 THE WRITTEN PERMISSION OF CMB Schankanlagen GmbH IS PROHIBITED.

Stücklistentabelle

POS-NR.	BENENNUNG	Artikelnummer	Werkstoff	MENGE
1	R-Ventilkörper 7/16"	06 11-0012-00	PA 12	1
2	R-VentilmutterG5_8	06 10-0026-70	PA 6 GV	1
3	R-Ventiloberteil 7/16"	06 11-0013-10	PA 6	1
4	R-Ventildistanzstück	06 10-0024-00	PC	2
5	R-Ventilkugelsitz	06 10-0023-00	PU	
6	Kugel 6mm	02 10-0022-00	1.4301	2
7	R-Ventilfeder	02 10-0021-00	1.4310	2
8	O-Ring R-Ventil 10x1,51	04 10-0020-90	NBR	1



ITEM NO. 40 27-3010-00	DEBUR AND BREAK SHARP EDGES	NOMENCLATURE OR DESCRIPTION	WEIGHT:	QTY REQD
Masch.Laufzeit: min. sec.	PARTS LIST			
UNLESS OTHERWISE SPECIFIED: DIMENSIONS ARE IN MILLIMETERS SURFACE FINISH: TOLERANCES: DIN 2768 LINEAR: f ANGULAR: f	CAD GENERATED DRAWING, DO NOT MANUALLY UPDATE		 R-Ventil 7/16"	
MATERIAL --	APPROVALS	Datum		
FINISH --	Konstrukteur K. Clemens	27.06.2011		
DO NOT SCALE DRAWING	CHECKED			
	RESP ENG		SIZE A4	DWG. NO.
	MFG ENG			REV.
	QUAL ENG		Maßstab: 1:1	E:\SW_Daten\R-Ventil\r-ventil